



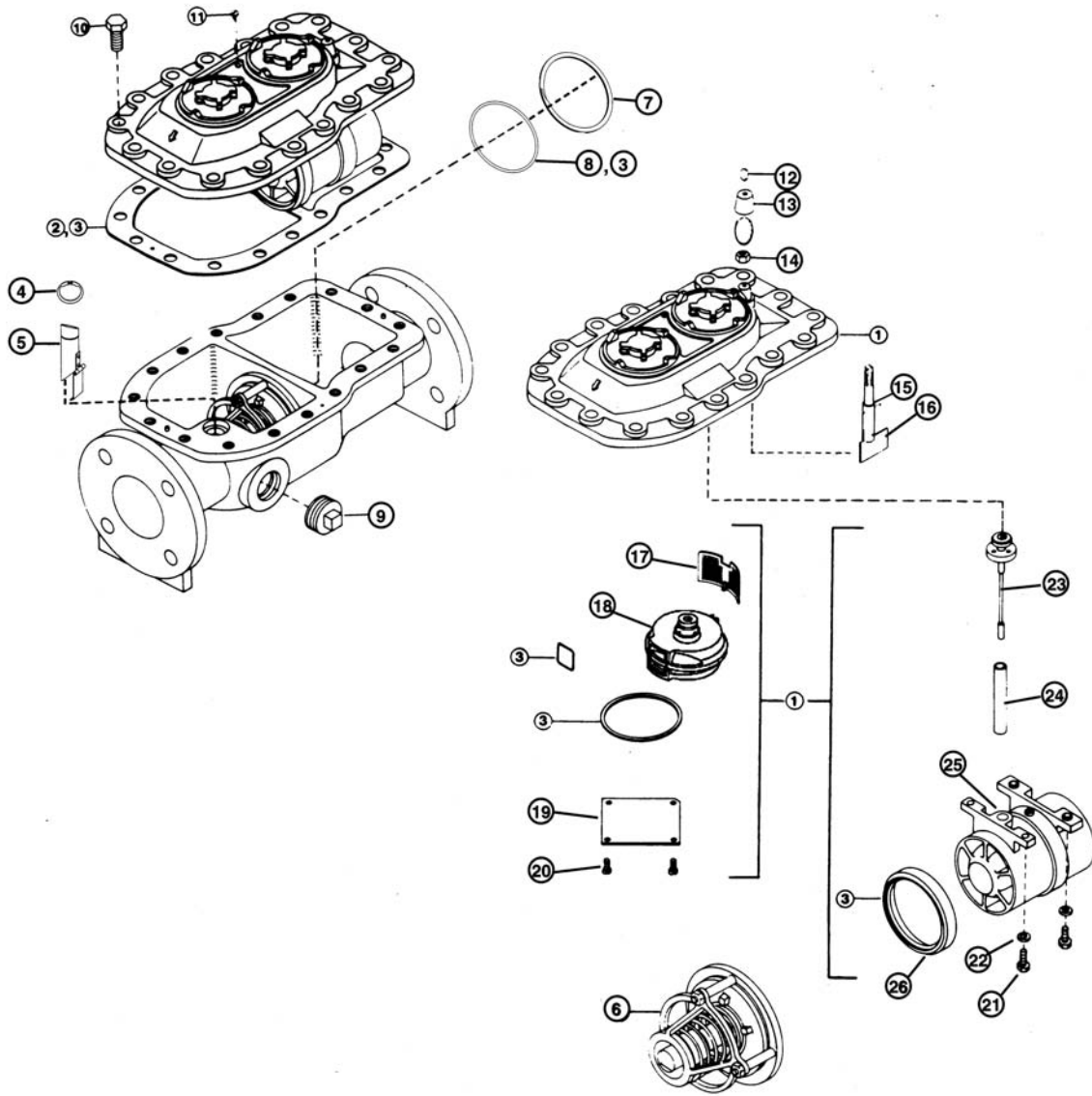
ARB® UTILITY MANAGEMENT SYSTEMS™ WATER | GAS | ELECTRIC

TRU/FLO® Compound Parts List

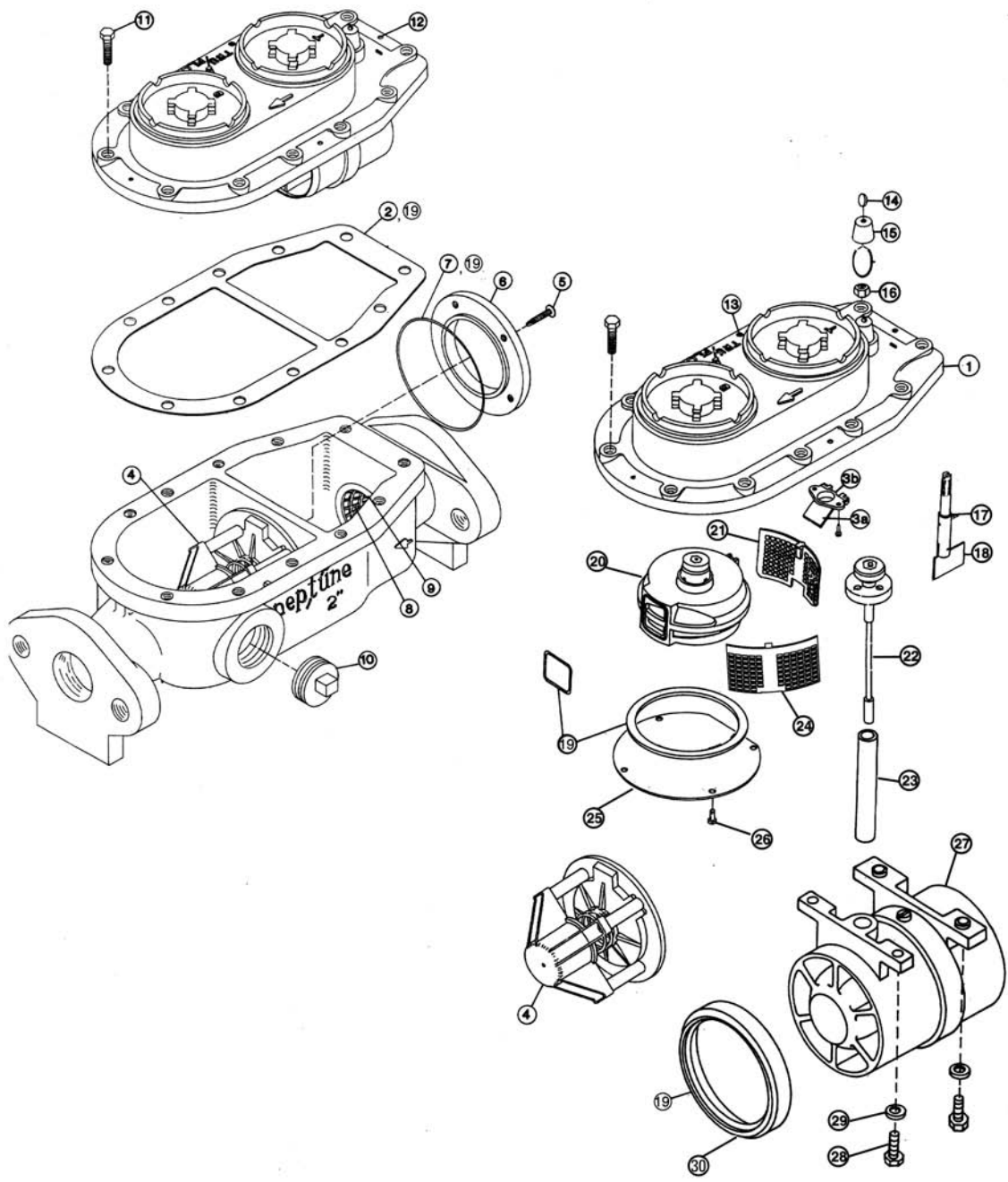


TRU/FLO® COMPOUND PARTS LIST

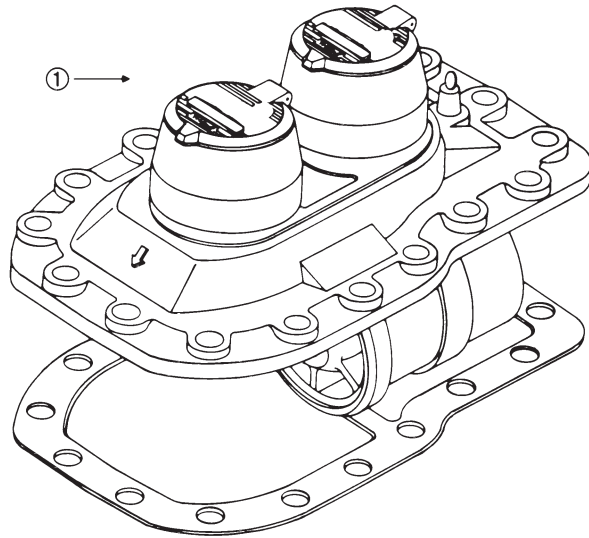
ITEM	DESCRIPTION	METER SIZE & PART NUMBERS		
		3"	4"	6"
1	Cover Assembly	9409-003	9565-100	9566-100
2	Maincase Gasket	8341-312	8341-313	8341-314
3	Maincase Gasket Kit	9685-001	9685-002	9685-003
4	Snap Ring	8579-033	8579-034	8579-036
5	Throttle Valve Assembly	9571-110	9571-200	9571-300
6	Main Valve Assembly	9403-120	9403-121	9403-122
7	Main Valve Snap Ring	8579-305	8579-306	8579-307
8	O-Ring	8316-274	8316-276	8316-275
9	Pipe Plug	8315-027(2)	8315-028	8315-028
10	Bolt Cover	8329-405	8329-405	8329-421
11	Vent Screw	8394-003	8394-003	8394-003
12	Seal Wire with Lead Seal	41110-501	41110-501	41110-501
13	Seal Cap	11098-001	11098-001	11098-001
14	Calibration Nut	8545-417	8545-417	8545-417
15	O-Ring	8316-022	8316-022	8316-022
16	Calibration Vane Assembly	11097-600	11097-700	11097-800
17	T-10 Strainer	9399-002	9831-001	9831-002
18	T-10 Chamber	9400-600	9826-200	9826-300
19	Plate	9406-001	9406-002	9406-003
20	Screw	8305-042	8329-006	8329-114
21	Bolt	8329-007	8329-007	8329-206
22	Washer	8568-012	8568-012	-
23	Drive Assembly	9485-006	9485-003	9485-008
24	Drive Sleeve	9484-008	9484-009	9484-010
25	Measuring Chamber Assembly	9439-001 SP00	9439-002 SP00	9439-106
26	Seal Ring	8340-063	8340-064	8340-065



ITEM	DESCRIPTION	METER SIZE & PART NUMBER
		2" HP
1	Cover Assembly	9676-100
2	Maincase Gasket	9675-001
3a	Throttle Valve Door	9679-001
3b	Throttle Valve Seat	9680-001
4	Main Valve Assembly	9669-000
5	Screw, Retainer	8328-045
6	Retainer Ring	9674-001
7	O-Ring, Retainer	8316-041
8	Strainer	9855-001
9	Locking Ring	9856-001
10	Pipe Plug	8315-027(2)
11	Bolt, Cover	8329-207
12	Spirol Pin	8350-008
13	Vent Screw	8394-003
14	Seal Wire with Lead Seal	41110-501
15	Seal Cap	11098-001
16	Calibration Nut	8545-417
17	O-Ring	8316-022
18	Calibration Vane Assembly	11097-610
19	Maincase Gasket Kit	9685-004
20	T-10 Chamber	9400-600
21	T-10 Strainer	9399-002
22	Drive Assembly	9485-011
23	Drive Sleeve	9484-013
24	2" HPT Strainer	9399-003
25	Chamber Plate	9678-001
26	Screw	8396-007
27	Measuring Assembly	9861-000
28	Bolt	8305-042
29	Washer	8568-010
30	Seal Ring	8340-062



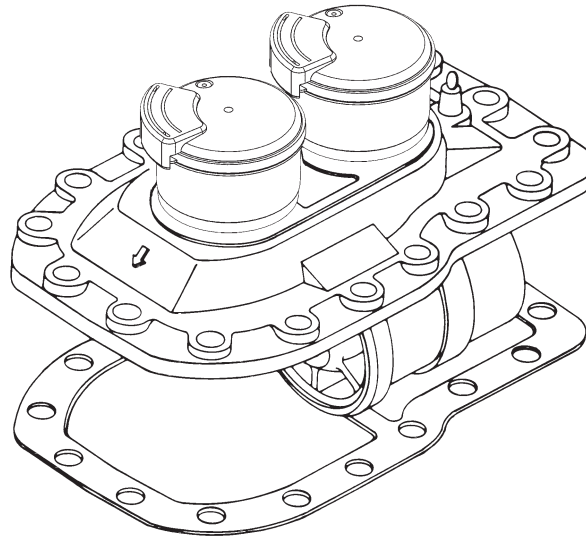
(UME INCLUDES: TWO REGISTERS, GASKET, AND COVER ASSEMBLY)



SIZE	REGISTRATION	(1) DIRECT READ		
		DISC REGISTER	TURBINE REGISTER	UME
2" HP	Cu. Ft.	R82F12	R85F1	9730-010
	Gal.	R82G12	R85G1	9730-020
	M ³	R82M12	R85M1	9730-040
2"	Cu. Ft.	R82F12	R83F2	N/A
	Gal.	R82G12	R83G2	N/A
	M ³	R82M12	R83M2	N/A
3"	Cu. Ft.	R82F12	R83F2	9596-110
	Gal.	R82G12	R83G2	9596-120
	M ³	R82M12	R83M2	9596-140
4" w/T-8 Register	Cu. Ft.	R81F22	R83F3	N/A
	Gal.	R81G22	R83G3	N/A
	M ³	R81M22	R83M3	N/A
6" w/T-8 Register	Cu. Ft.	R81F32	R83F4	N/A
	Gal.	R81G32	R83G4	N/A
	M ³	R81M32	R83M4	N/A
4" w/T-10 Register	Cu. Ft.	R82F22	R83F3	9596-210
	Gal.	R82G22	R83G3	9596-220
	M ³	R82M22	R83M3	9596-240
6" w/T-10 Register	Cu. Ft.	R82F32	R83F4	9596-310
	Gal.	R82G32	R83G4	9596-320
	M ³	R82M32	R83M4	9596-340

Note: When ordering registers, please include change gear combination or four-digit register code from dial face.

(UME INCLUDES: TWO REGISTERS, GASKET, AND COVER ASSEMBLY)



SIZE	REGISTRATION	ProRead™ (Pit) 4-Wheel Encoder*			ProRead™ (Pit) 6-Wheel Encoder*			E-CODER® (Pit)			E-Coder)R900i™ (Pit)		
		DISC		TURBINE	DISC		TURBINE	DISC		TURBINE	DISC		TURBINE
		REGISTER	REGISTER	UME	REGISTER	REGISTER	UME	REGISTER	REGISTER	UME	REGISTER	REGISTER	UME
2" HP	Cu. Ft	R78F11	R75F11	9730-018	R78F12	R75F12	9730-019	RH8F11	RH5F11	9730-011	RW8F11	RW5F11	9730-050
	Gal	R78G11	R75G11	9730-028	R78G12	R75G12	9730-029	RH8G11	RH5G11	9730-021	RW8G11	RW5G11	9730-060
	M³	R78M11	R75M11	9730-048	R78M12	R75M12	9730-049	RH8M11	RH5M11	9730-041	RW8M11	RW5M11	9730-080
2"	Cu. Ft	R72F11	R73F11	N/A	R72F12	R73F12	N/A	RH8F11	RH3F11	N/A	RW8F11	RW3F11	N/A
	Gal	R72G11	R73G11	N/A	R72G12	R73G12	N/A	RH8G11	RH3G11	N/A	RW8G11	RW3G11	N/A
	M³	R72M11	R73M11	N/A	R72M12	R73M12	N/A	RH8M11	RH3M11	N/A	RW8M11	RW3M11	N/A
3"	Cu. Ft	R78F11	R73F21	9596-111	R78F12	R73F22	9596-118	RH8F11	RH3F21	9596-119	RW8F11	RW3F21	9596-150
	Gal	R78G11	R73G21	9596-121	R78G12	R73G22	9596-128	RH8G11	RH3G21	9596-129	RW8G11	RW3G21	9596-160
	M³	R78M11	R73M21	9596-141	R78M12	R73M22	9596-148	RH8M11	RH3M21	9596-149	RW8M11	RW3M21	9596-180
4" w/T8 Register	Cu. Ft	R71F21	R73F31	N/A	R71F22	R73F32	N/A	RH1F21	RH3F31	N/A	RW1F21	RW3F31	N/A
	Gal	R71G21	R73G31	N/A	R71G22	R73G32	N/A	RH1G21	RH3G31	N/A	RW1G21	RW3G31	N/A
	M³	R71M21	R73M31	N/A	R71M22	R73M32	N/A	RH1M21	RH3M31	N/A	RW1M21	RW3M31	N/A
6" w/T8 Register	Cu. Ft	R71F31	R73F41	N/A	R71F32	R73F42	N/A	RH1F31	RH3F41	N/A	RW1F31	RW3F41	N/A
	Gal	R71G31	R73G41	N/A	R71G32	R73G42	N/A	RH1G31	RH3G41	N/A	RW1G31	RW3G41	N/A
	M³	R71M31	R73M41	N/A	R71M32	R73M42	N/A	RH1M31	RH3M41	N/A	RW1M31	RW3M41	N/A
4" w/T10 Register	Cu. Ft	R78F21	R73F31	9596-211	R78F22	R73F32	9596-218	RH8F21	RH3F31	9596-219	RW8F21	RW3F31	9596-250
	Gal	R78G21	R73G31	9596-221	R78G22	R73G32	9596-228	RH8G21	RH3G31	9596-229	RW8G21	RW3G31	9596-260
	M³	R78M21	R73M31	9596-241	R78M22	R73M32	9596-248	RH8M21	RH3M31	9596-249	RW8M21	RW3M31	9596-280
6" w/T10 Register	Cu. Ft	R78F31	R73F41	9596-311	R78F32	R73F42	9596-318	RH8F31	RH3F41	9596-319	RW8F31	RW3F41	9596-350
	Gal	R78G31	R73G41	9596-321	R78G32	R73G42	9596-328	RH8G31	RH3G41	9596-329	RW8G31	RW3G41	9596-360
	M³	R78M31	R73M41	9596-341	R78M32	R73M42	9596-348	RH8M31	RH3M41	9596-349	RW8M31	RW3M41	9596-380

*Registers do not include ARB® remote receptacles.

Note: When ordering registers, please include change gear combination or four-digit register code from dial face.

Neptune engages in ongoing research and development to improve and enhance its products. Therefore, Neptune reserves the right to change product or system specifications without notice.

Neptune Technology Group Inc.

1600 Alabama Highway 229
Tallahassee, AL 36078
USA

Tel: (800) 645-1892
Fax: (334) 283-7299

Neptune Technology Group (Canada) Ltd.

7275 West Credit Avenue
Mississauga, Ontario
L5N 5M9
Canada

Tel: (905) 858-4211
Fax: (905) 858-0428

Neptune Technology Group Inc.

Ejército Nacional No. 418
Piso 12, Desp. 1201-1202
Col. Chapultepec Morales
Delegación Miguel Hidalgo
11570 México, Distrito Federal

Tel: (525) 55203 5294 / (525) 55203 5708
Fax: (525) 55203 6503



NEPTUNE
TECHNOLOGY GROUP
Take Control.

neptunetg.com